

EKATO SYSTEMS

EKATO SYSTEMS GmbH

Käppelemattweg 2, 79650 Schopfheim, Germany

Tel. +49 (0) 7622 6907-0, Fax +49 (0) 7622 6907-900

e-mail: systems@ekato.com

MIXING COSMETICS

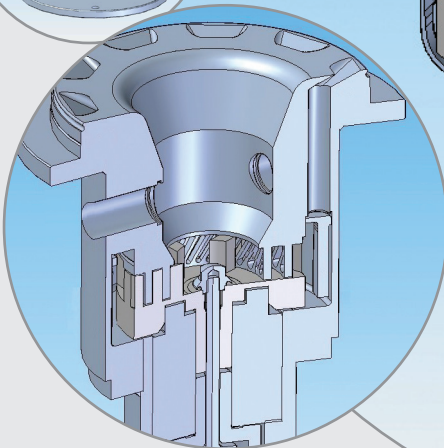
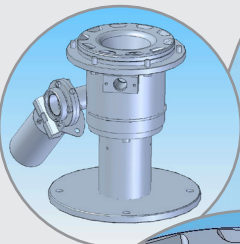
www.ekato.com



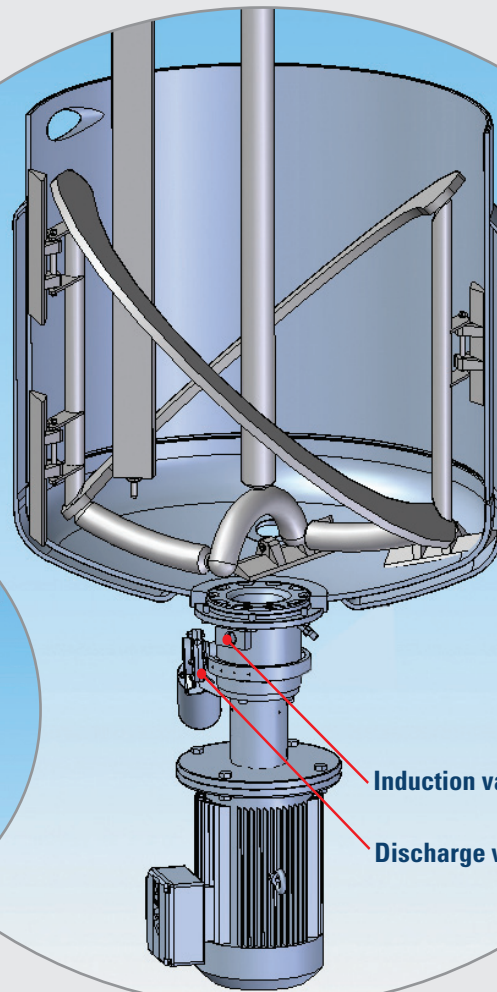
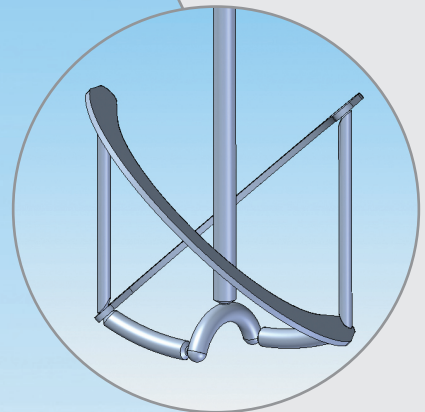
LOTIONS • OINTMENTS • CREAMS • MASCARA • LIPSTICK • MAKE-UP • FOUNDATIONS • GEL • PEELINGS • TOOTHPASTE

Advanced Process Solutions

**S-JET
HOMOGENIZER**



**PARAVISC
AGITATOR**



Induction valve

Discharge valve

THE UNIMIX SYSTEM

- Short heating/cooling times with fast heat transfer
 - Internal homogenizing without external loop
 - HOT/COLD processes
- Vacuum processing and de-aerating for air-free products

LABORATORY TRIALS (3-1000l) • TEST BATCHES • CONSULTING • RENTAL UNITS