

# Mechanical seal ESD114

high speed

ESD114

Advanced Process Solutions

## Function

- Double acting mechanical seal liquid lubricated
- Perfect for high-speed shafts

## Advantages

- Easy to clean and sterilize
- Extended life time, even on high-speed machines

## Working limits

Operating pressure:	Vacuum ... 6 bar (abs.)
Vessel temperature:	-20...+200°C
Shaft size:	40...220 mm
Sliding speed:	0...20 m/s
Certification:	Acc. to ATEX 2014/34/EU

## Materials

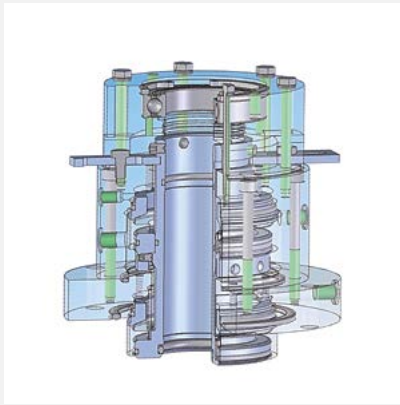
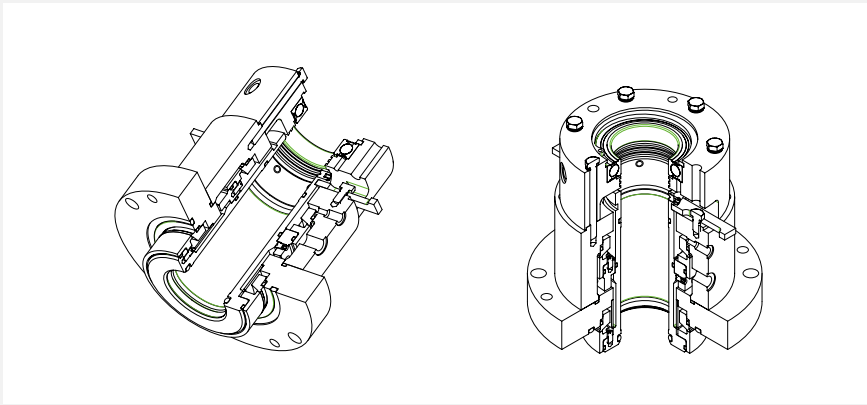
Housing:	Stainless steel
Product-wetted parts:	Stainless steel, Hastelloy, special materials
Seal rings:	Silicon Carbide
O-rings:	FKM (Viton), FFKM (Kalrez, Chemraz etc.), special materials
FDA approval:	Possible for all product-wetted parts

## Applications

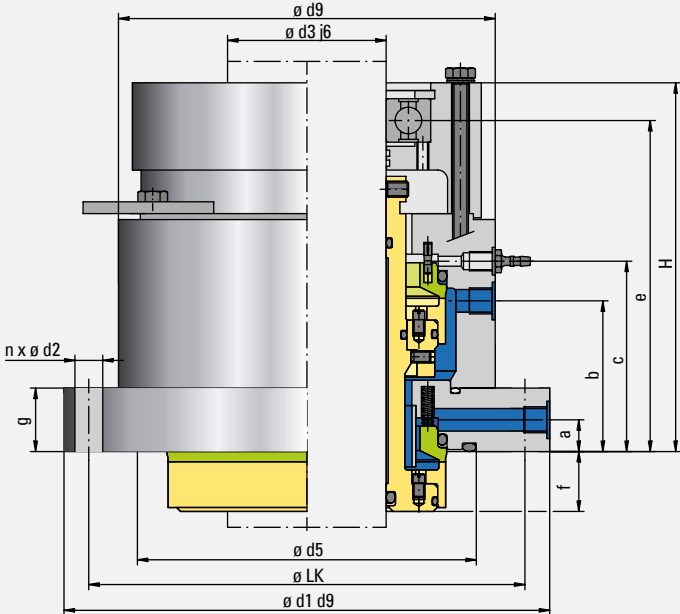
- Formulated consumer products
- Pharmaceutical products and cosmetics



**EKATO**



**Design Details ESD114Z**



Technical data are subject to changes.