

Sterile systems: Sterile seal ESD34/44S with installation

Function

- Ideal for sterile processes
- Complete sealing unit including mechanical seal and sterile installation
- Seal liquid condensate cooled by a plate heat exchanger
- Continuous sterilisation of the condensate by fresh steam

Advantages

- Complete sterile system, mechanical seals and sterile installation from a single source
- Ready-to-install cartridge unit
- No gaps: ideal for sterile processes
- ESD sterile installation operates virtually maintenance-free and consumes very little energy
- No lubricants

Working limits

Operating pressure:	Vacuum ... 4.5 bar (abs.)
Steam temperature:	130°...150°C
Shaft size:	40...300 mm
Sliding speed:	0... 5 m/s
Certification:	Acc. to ATEX 2014/34/EU

Materials

Housing:	Stainless steel
Product-wetted parts:	Stainless steel, Hastelloy, Titanium, other special materials
Seal rings:	Carbon, Silicon Carbide, Tungsten Carbide, etc.
O-rings:	EPDM, FFKM (Kalrez, Chemraz etc.), special elastic materials
FDA approval:	Possible for all product-wetted parts

Applications

- Fermentation
- Specialty chemicals
- Pharmaceutical products and cosmetics
- Biofuels and bio refineries



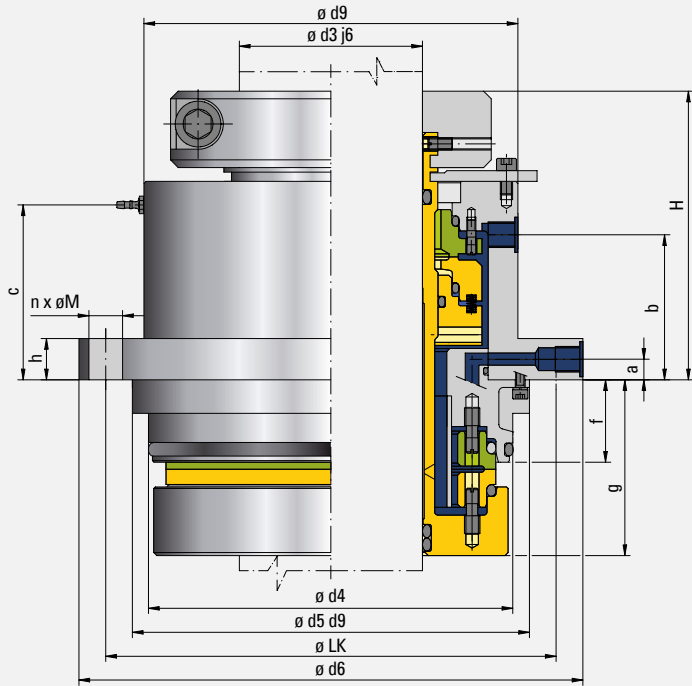
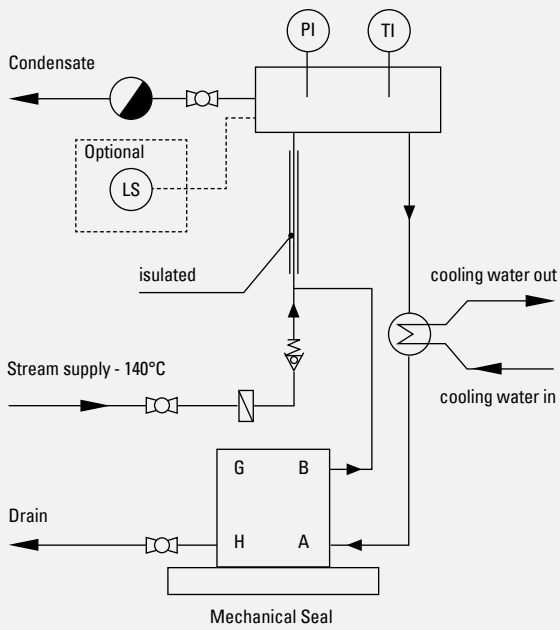


Mechanical seal
for sterile processes



Sterile seal
without gaps

Design details ESD44S



Technical data are subject to changes.