

Mechanical seal ESD34N

for low pressure range

ESD34N

Function

- Double-acting liquid lubricated mechanical seal for low pressure applications up to 7 bar (abs.)
- Two identical pairs of seal rings in a back-to-back arrangement
- Suitable for high radial deflection of the shaft

Advantages

- Wear parts standardized by modular design
- Double acting, even in low pressure range
- Compact dimensions, suitable for small installation spaces
- Ideal replacement for stuffing boxes
- Design for cost saving

Working limits

Operating pressure:	vacuum ... 7 bar (abs.)
Vessel temperature:	-50...+400°C
Shaft size:	40...220 mm
Sliding speed:	0...5 m/s
Certification:	acc. to ATEX 2014/34/EU

Materials

Housing:	Stainless steel
Product-wetted parts:	Stainless steel, Hastelloy, Titanium, other special materials
Seal rings:	Carbon, Silicon Carbide, Tungsten Carbide, etc.
O-rings:	FKM (Viton), EPDM, FFKM (Kalrez, Chemraz etc.), special materials
FDA approval:	Possible for all product-wetted parts

Applications

- Bulk chemicals
- Polymers
- Specialty chemicals
- Formulated consumer products
- Pharmaceutical products and cosmetics
- Biofuels and bio refineries
- Storage tanks

Accessories

- Short heat trap for cooling
- Collector tray
- Flushing attachment



EKATO



High axial and radial tolerance



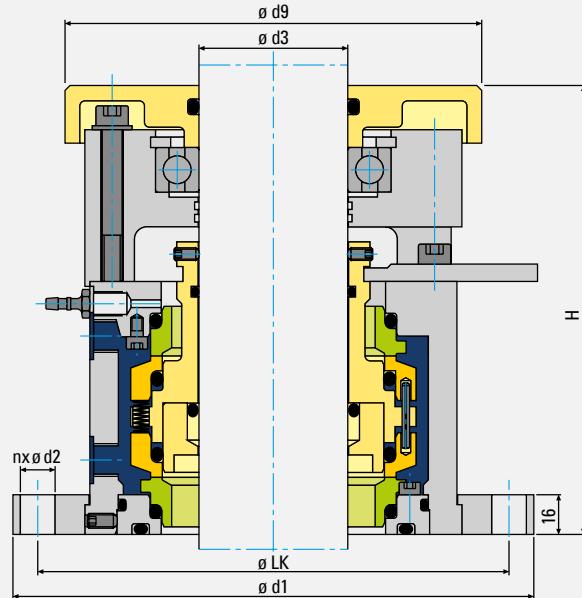
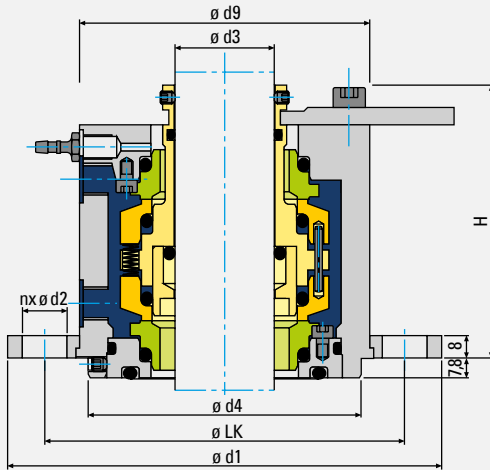
Double-acting
even in the low pressure range



Perfectly tight
even under roughest conditions.
Special spring designs ensure uniform
pretensioned conditions, also in cases
of shaft deflection.

ESD34NJ

ESD34NZ



Seal type / size	d1	d3	n x d2	H	LK	d4	d9
ESD34NJ / 040	175	40	4 x 18	110	145	110	117
ESD34NJ / 060	240	60	8 x 18	110	210	176	148
ESD34NJ / 080	275	80	8 x 23	110	240	204	168
ESD34NJ / 100	305	100	8 x 23	110	270	234	188
ESD34NJ / 120	330	120	8 x 23	112	295	260	212
ESD34NJ / 140	395	140	12 x 23	167	350	313	274
ESD34NJ / 160	395	160	12 x 23	171	350	313	293
ESD34NJ / 180	445	180	12 x 23	175	400	364	312
ESD34NJ / 200	445	200	12 x 23	179	400	364	331
ESD34NJ / 220	505	220	16 x 23	183	460	422	358

Seal type / size	d1	d3	n x d2	H	LK	d9
ESD34NZ / 040	175	40	4 x 18	169	145	136
ESD34NZ / 060	240	60	8 x 18	173	210	168
ESD34NZ / 080	275	80	8 x 23	180	240	192
ESD34NZ / 100	305	100	8 x 23	181	270	208
ESD34NZ / 120	330	120	8 x 23	186	295	232
ESD34NZ / 140	395	140	12 x 23	234	350	278
ESD34NZ / 160	395	160	12 x 23	243	350	297
ESD34NZ / 180	445	180	12 x 23	242	400	316
ESD34NZ / 200	445	200	12 x 23	251	400	335
ESD34NZ / 220	505	220	16 x 23	255	460	362

All dimensions in mm. Other sizes available on request. Technical data are subject to changes.