

# Mechanical seal ESD44

for slurry applications

ESD44

## Function

- Double-acting mechanical seal liquid lubricated for slurry applications
- Pair of product side seal rings extends into the vessel space
- Surfaces are smooth and the design minimizes gaps to prevent dirty corners - thorough cleaning is possible
- Sealing abrasive suspensions and sticky or crusty media (below liquid level, side entry installation)
- Sterile seal design (ESD44S) also available
- Flexible mounting position

## Advantages

- No dirty corners, thorough cleaning possible
- Can be sterilized
- Solid design

## Working limits

Operating pressure:	Vacuum ... 16 bar (abs.)
Vessel temperature:	-50...+230°C
Shaft size:	40...300 mm
Sliding speed:	0...5 m/s
Certification:	Acc. to ATEX 2014/34/EU

## Materials

Housing:	Stainless steel
Product-wetted parts:	Stainless steel, Alloy, Titanium, other special materials
Seal rings:	Carbon, Silicon Carbide, Tungsten Carbide, etc.
O-rings:	FKM (Viton), EPDM, FFKM (Kalrez, Chemraz etc.), special materials
FDA approval:	Possible for all product-wetted parts

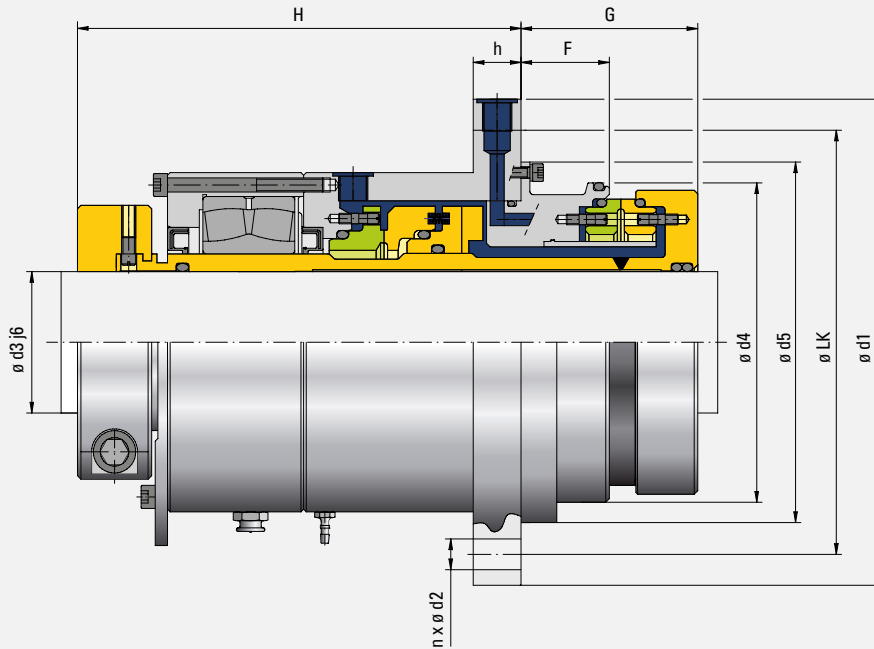
## Applications

- Specialty chemicals
- Formulated consumer products





## Design Details ESD44



Series / ø	d1	d4	d5	LK	n x d2	F	G	h	H
ESD44 / 040	175	118	121	145	4 x 14	40	87	23	182
ESD44 / 060	240	158	176	210	8 x 18	40	87	23	222
ESD44 / 080	275	181	204	240	8 x 22	50	100	27	251
ESD44 / 100	305	206	234	270	8 x 22	50	100	27	248
ESD44 / 120	330	239	260	295	8 x 22	70	135	27	284
ESD44 / 140	395	253	313	350	12 x 22	70	134	27	301
ESD44 / 160	395	277	313	350	12 x 22	70	134	31	303
ESD44 / 180	445	303	364	400	12 x 22	70	142	31	333

All dimensions in mm. Other sizes available on request. Technical data are subject to changes.