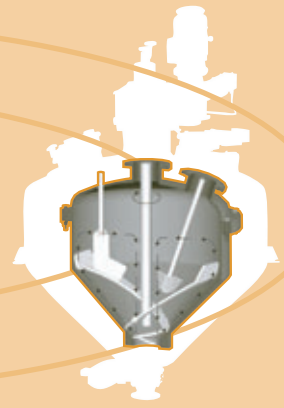




EKATO-VPT

**EKATO-VPT
Vertical Process
Dryer**



EKATO SYSTEMS

920-01-394/2.000/1.06



VPT Vertical Process Dryer



1



2



3



4



5

Design features:

- 1 Cantilevered shaft with no product contact at bearings
- 2 Internal baffles deflect flow, enabling all product viscosities from thin liquids to thick pastes to be processed
- 3 Standardized agitator drives ensure reliable operation and low maintenance costs
- 4 Close clearances between agitator and vessel wall prevent product building up and reducing heat transfer
- 5 Appropriate shaft seal systems for every application. Installing the shaft seal away from the product enables the tried-and-tested EKATO standard agitator seals to be used
- 6 GMP-compliant design of equipment featuring special O-ring geometries, high quality surface finishes and the absence of dead spaces
- 7 CIP concepts thought out to the last detail guarantee validatable cleaning procedures
- 8 Product fines are separated from the offgas in the vacuum dust filter. EKATO offers bag filters with coated surfaces or metallic filter cartridges. The fines drop back into the vessel when the filter cake is loosened
- 9 Top-entry chopper tools prevent lumps forming
- 10 EKATO offers package drying systems complete with heater, solvent recovery unit and control system, all from a single source



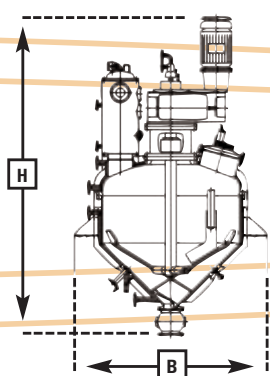
6

7

8

9

10



TYPE	EFF. VOLUME (l)	HEIGHT H (mm)	WIDTH B (mm)	WEIGHT (kg)
VPT 50	50	2000	1000	800
VPT 100	100	2100	1100	1000
VPT 250	250	2300	1500	1500
VPT 400	400	2500	1800	2000
VPT 630	630	3100	2000	3000
VPT 1000	1000	3300	2200	4000
VPT 1600	1600	3600	2400	5000
VPT 2500	2500	3800	2700	6000
VPT 4000	4000	4500	3100	7000
VPT 5000	5000	5000	3400	9000

All dimensions approximate



Function:

The patented EKATO ISOPAS impeller ensures an intensive, thorough mixing action

The product is displaced upward near to the wall and flows downward again at the center

Vacuum contact dryer with heated walls (contact surfaces) supplying heat of evaporation to product

High degree of homogeneity achieved

The EKATO ISOPAS in conjunction with a baffle can circulate products of all viscosities uniformly, from thin liquids to stiff lumpy pastes

Application:

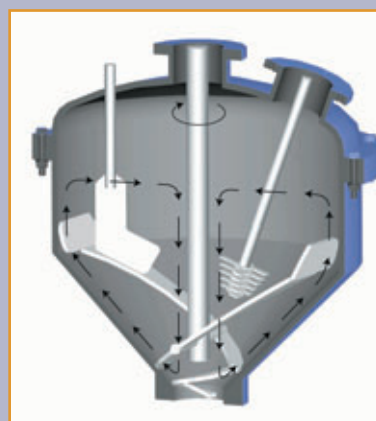
Drying of free-flowing products such as fine chemicals, pigments, pharmaceutical active ingredients

Drying of crystalline powders sensitive to shear

Mixing and drying of products with problematic flow properties or a pronounced transition phase

Mixing liquids into solids

The equipment design (agitated vessel) lends itself well to the typical layout concept in chemical plants





EKATO SOLIDMIX Research and Development facility

- Application-oriented testing
- Development of special agitator impellers
- Engineering studies

EKATO SYSTEMS GmbH

Käppelemattweg 2
79650 Schopfheim
Germany

Tel. +49 (0) 7622 29-400

Fax +49 (0) 7622 29-600

e-mail: systems@ekato.com

 www.ekato.com

EKATO SYSTEMS