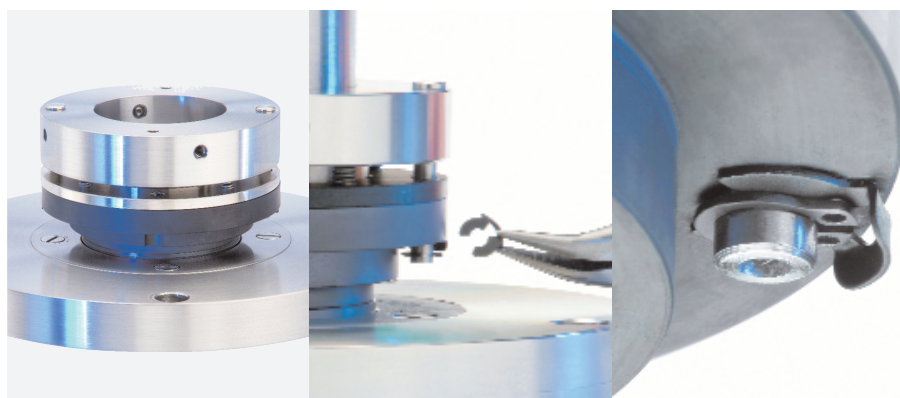
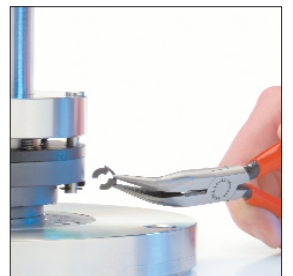


**Design series ESD 3 2 T****Product Information****Technical Data**

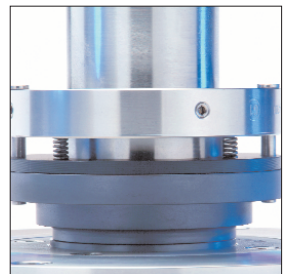
- Single-acting, dry-running mechanical seal for low pressure applications
- Simple to check, easy to mount



**Plug + Seal**  
no adjustment of  
spring preload  
during installation



**Wear**  
wear indicator visible  
externally with  
integrated wear limit



# ESD32T Mechanical Seal



## Principle + Application

### Dry running

A carbon ring with special selflubricating properties rotates against a stationary silicon carbide seal ring without the presence of a seal liquid.

### Leak tightness

The leakage from the product room is very low.

### Field of application

This mechanical seal is suitable for noncritical substances.

## Application Limits

### Vessel pressure

Vacuum ... 4 bar

### Vessel temperature

-20 ... +120° C

### Shaft diameter

25 ... 100 mm

### Seal face velocity

0 ... 3,5 m/s

## Materials

### Housing

Stainless steel

### Seal rings

Special carbon, silicon carbide

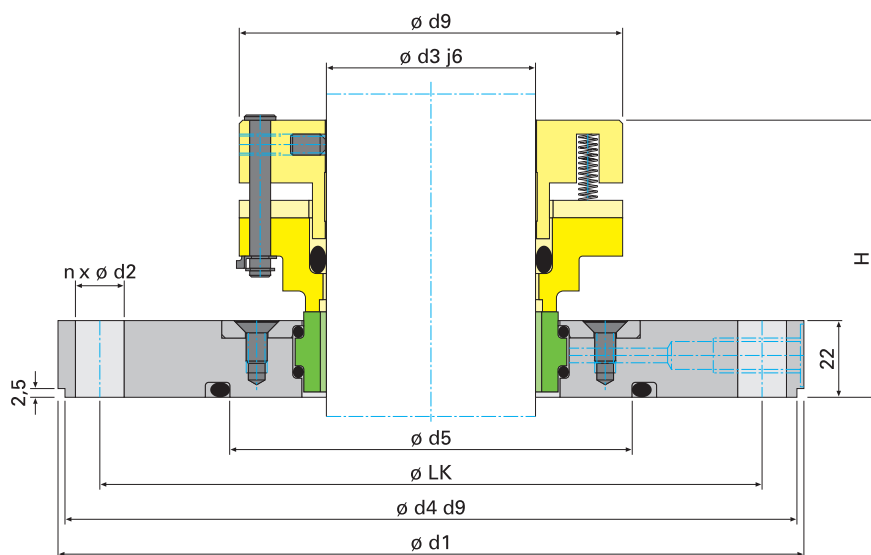
### O-rings

Viton, perfluorelastomers

## Quality

The mechanical seal ESD32T is supplied as ready-to-install cartridge unit. Under the internal QM system certified to DIN EN ISO 9001:2000, each mechanical seal is tested dynamically under process conditions and is assigned a test certificate before it leaves the factory.

The seal type ESD32T is designed to optimum GMP requirements.



## Dimensions

Series / $\phi$	d1	d3	d4	LK	n x d2	H
ESD32T/025	140	25	75	120	4 x 14	79
ESD32T/040	174	40	90	145	4 x 14	79
ESD32T/060	214	60	110	190	4 x 14	79
ESD32T/080	239	80	130	210	8 x 14	79
ESD32T/100	264	100	150	235	8 x 14	79

all dimensions in mm; additional sizes on request;  
subject to change without notice

**ESD GmbH**

EKATO Sicherheits-  
und Dichtungstechnik  
Schönauer Strasse 66  
D-79669 Zell i.W.  
Germany

**Phone**

+49 (0) 7625 / 9282-0

**Fax**

+49 (0) 7625 / 9282-11

**E-mail**

[Info@esd-gmbh.de](mailto:Info@esd-gmbh.de)

**Internet**

[www.ekato.com](http://www.ekato.com)

**EKATO ESD**